

EKO9200

BRASS GATE VALVE



TECHNICAL ADVANTAGES

- BSPT Threaded
- Non-Rising stem
- Screwed-in Bonnet
- Full port
- Size range from ½" to 4"
- Solid Wedge Disc
- Working Pressure: 20 bar
- Testing Pressure
- Body resistance: 30 bar Hydrostatic
- Leak tightness: 6 Bar (Air)
- Standard Bore
- Max Temp. 110 °C
- Gas Threaded Ends (BSP) Female-Female
- Suitable for Hot & Cold Water
- Working temperature Range:
Air: -15 °C to 105 °C
Water: 0 °C to 110 °C



MATERIAL

- Body: Brass MS58
- Wedge: Brass MS58
- Seal: PTFE
- Head: Brass MS58
- Compression Nut: Brass MS58
- Gland Packing: PTFE
- Copper Ring: Brass MS58
- Gland Nut: Brass MS58
- Stem: Brass MS58
- Handle: Cast Iron
- Name Plate: Steel
- Hexagonal Nut: Steel

COATING

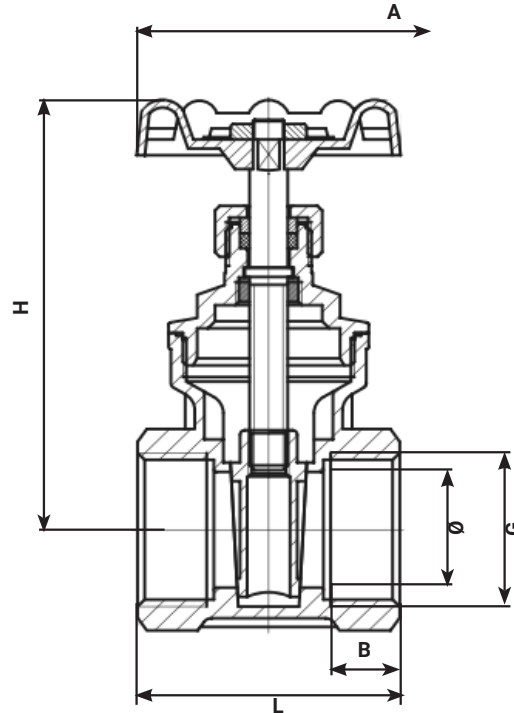
- Please Contact for coating options

VERSIONS

- With Brass Cross Handle
- 5 Point Crown Wheel Handle
- Please Contact for further version options

EKO9200

BRASS GATE VALVE



Brass Gate Valve Dimension Table

Inch	A	H	L	B	G	Ø	Weight (g)
1/2"	50	68	40	11	1/2"	13	230
3/4"	50	75	40	12	3/4"	15	280
1"	60	80	48	14	1"	19	380
1 1/4"	71	100	50	14	1 1/4"	20	620
1 1/2"	71	109	55	14	1 1/2"	31	850
2"	78,5	126	60	16	2"	40	2350
2 1/2"	108	165	70	19	2 1/2"	58	2600
3"	108	170	81	21	3"	68	3600
4"	126	201	89	23	4"	88	5600