

EKO5500

FOOT VALVE



TECHNICAL ADVANTAGES

- Flanges According to EN1092/2
- Closure of the Valve is Obtained When Back Flow Reaches the Valve, Thereby Minimizing the Surge Conditions.
- Provides Positive Seating and Full Flow Are
- Perforated Stainless Steel Screen with Spot Welded Seam
- Prevents Back flow
- Soft Seated
- Silent Closing
- Prevents Residuals From Entering the Pipeline and Harming the Pump or Other Crucial Devices.
- Globe Design
- Minimizes Head Loss
- Can be Installed in Vertical Position With The Direction of Flow Upwards

MATERIAL

- Body: Ductile Iron GGG50/40, Cast Iron GG25
- Spring: SS304
- Broach: Ductile Iron
- Jaw: Ductile Iron
- Circle Ring: Ductile Iron
- Shaft: Bronze
- Seat: EPDM
- Bolt: A2 (SS 304)
- Filter (Screen): SS304



COATING

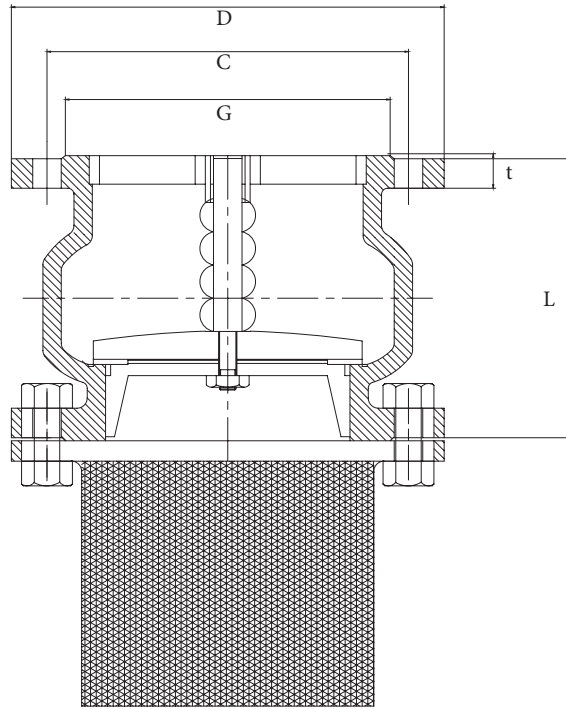
- Fusion Bonded Powder Epoxy Coating min 250 mic Suitable For Potable Water
- Coated EPDM or NBR disc sealed ring

VERSIONS

- Screen Material can be chosen any Stainless Steel Grade
- Length of the Screen Can be manufactured according to special needs

EKO5500

FOOT VALVE



| DN | DIN3202 F6 | Flanged to EN1092 PN16/10 | | | | | |
|-----|---------------|---------------------------|---------|---------|------|-------------|---|
| | L | ØD | ØC | ØG | t | n-d | f |
| 40 | 109 | 150 | 110 | 88 | 18 | 4-19 | 3 |
| 50 | 109 | 165 | 125 | 102 | 19 | 4-19 | 3 |
| 65 | 126 | 185 | 145 | 122 | 19 | 4-19 | 3 |
| 80 | 130 | 200 | 160 | 138 | 19 | 8-19/4-19 | 3 |
| 100 | 150 | 220 | 180 | 158 | 19 | 8-19 | 3 |
| 125 | 167 | 250 | 210 | 188 | 19 | 8-19 | 3 |
| 150 | 180 | 285 | 240 | 212 | 20 | 8-23 | 3 |
| 200 | 195 | 340 | 295 | 168 | 22 | 12-23/8-23 | 3 |
| 250 | 275 | 405/395 | 355/350 | 320 | 24,5 | 12-28/12-23 | 3 |
| 300 | 310 | 460/445 | 410/400 | 378/370 | 24,5 | 12-28/12-23 | 4 |
| 350 | 350 | 520/505 | 470/460 | 188 | 26,5 | 16-28/16-23 | 4 |
| 400 | 390 | 580/565 | 528/515 | 212 | 28 | 16-31/16-28 | 4 |
| 450 | 460 | 640/615 | 585/565 | 268 | 30 | 20-31/20-28 | 4 |
| 500 | 500 | 715/670 | 650/620 | 320 | 31,5 | 20-34/20-28 | 4 |
| 600 | 550 | 840/780 | 770/725 | 378/370 | 36 | 20-37/20-31 | 5 |