

EKO12000

NEEDLE (PLUNGER) VALVE



TECHNICAL ADVANTAGES

- Face to Face Length According to EN 558 Basic Series 15
- Flange Connection According to EN 1092-2
- Can be Used As,
Pressure Control Valve
Flow Control Valve
Level Control Valve
Pump Start Valve
Turbine By-Pass Valve
Discharge Valve
- Valve Testing According to EN12266-1
- One-Piece Body Construction
- Shaft Sealing with Double O-Rings
- Internal Body Shape is Optimised to Give a Low Head Loss Coefficient in Fully Open Position
- Pressure Balance in Chamber Inside for Low Operation Torque
- Low Cavitation Risk
- Axial Movement of Plunger
- High Safety Coefficient Design
- Special Outlets Can Be Designed By Project Based
- Max Operation Temperature 50°C
- Mechanical Position Indicator And Limit Stops On Gear Box
- Low Operation Torques On High Pressures

MATERIAL

- Body: GJS 400-15, GJS 500-7, Full Stainless Steel
- Plunger: Stainless Steel
- Sealing Ring: Stainless Steel
- Bolts: Stainless Steel
- Nuts: Stainless Steel
- Sealing Ring: Metal Sealing + EPDM
- Crank Mechanism: Stainless Steel
- Valve Shaft: AISI 420 Stainless Steel
- Bearing: Bronze
- Gear Box: Ductile Iron



COATING

- Internally and Externally Epoxy Coated

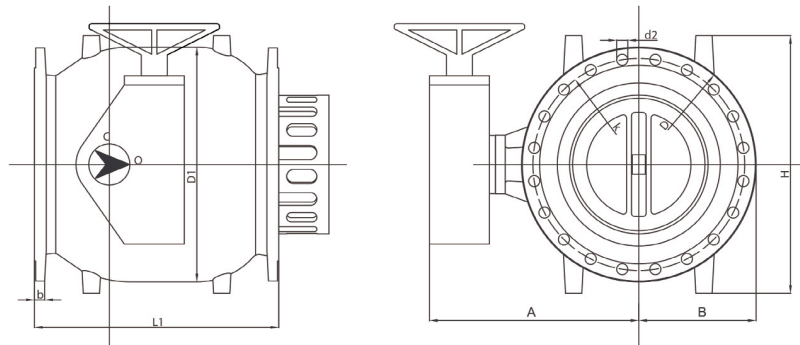
VERSIONS

- With Electric Actuator
- Electric actuator ready
- With Rigid Anti-Cavitation Cyclinder
- With Double Rigid Anti-Cavitation Cyclinder
- With Orifice Cylinder to Control High Differential Pressure
- With Hydraulic Rotary Actuator
- Various Gearbox Arrangements Depending on the installation
- Pneumatic Actuator
- ANSI Class Flange Drillings
- With Customized Control Device Depending on Operating Conditions
- With Own Medium Control
- With Slotted Cylinder to Control High Differential Pressure
- PN50, PN63 and PN100 are also available on Request

Remarks: Grey tones represents available options.

EKO12000

NEEDLE (PLUNGER) VALVE

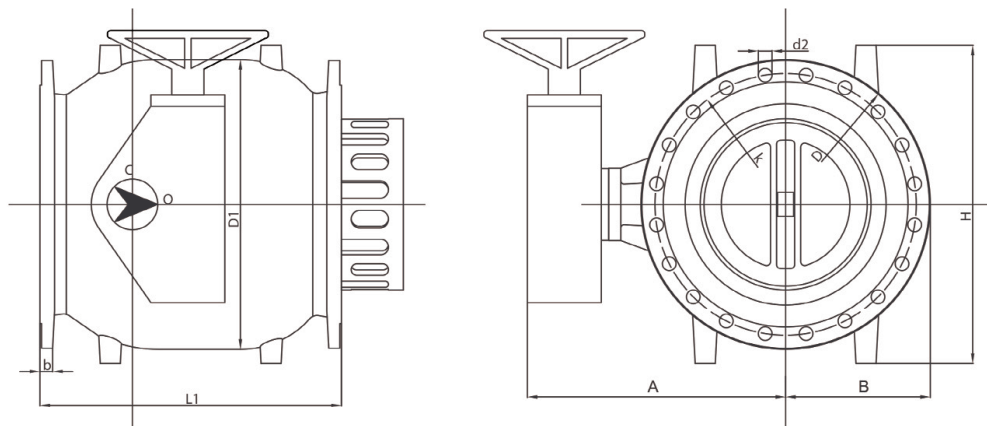


Needle (Plunger) Valve Dimension Table

PN10	Body			Flanges					Gear Box			Weight (kg)
	(DN)	A(mm)	B(mm)	L1(mm)	D(mm)	K(mm)	d2(mm)	b(mm)	No.of Holes	Model	Turn/Stroke	
150	283	143	350	285	240	23	19	8	M60	21	25	80
200	315	170	400	340	295	23	20	5	M60	21	30	115
250	375	200	450	400	350	23	22	12	M85	31	30	155
300	455	228	500	455	400	23	24,5	12	M85	31	35	190
400	535	290	600	565	515	28	24,5	16	M110	23	40	335
500	602	360	750	670	620	28	26,5	20	M110	23	50	590
600	660	435	900	780	725	31	30	20	M125	23	70	1030
700	720	515	1050	895	840	31	32,5	24	M160	23	80	1620
800	770	565	1200	1015	950	34	35	24	M160/3	70	80	2050
900	830	630	1350	1115	1050	34	37,5	28	M160/3	70	90	2750
1000	915	695	1500	1230	1160	37	40	28	M200/3	75	100	4000
1200	1070	825	1800	1455	1380	40	45	32	M200/3	225	105	5300

EKO12000

NEEDLE (PLUNGER) VALVE



Needle (Plunger) Valve Dimension Table

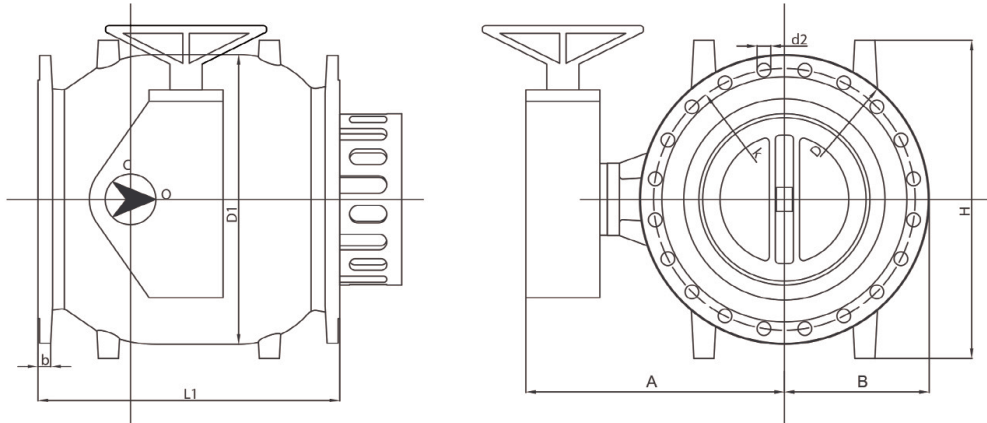
PN10 (DN)	Body			Flanges					Gear Box			Weight (kg)
	A(mm)	B(mm)	L1(mm)	D(mm)	K(mm)	d2(mm)	b(mm)	No.of Holes	Model	Turn/ Strok	Torque	
150	283	143	350	285	240	23	19	8	M60	21	25	80
200	315	170	400	340	295	23	20	5	M60	21	30	115
250	375	200	450	400	355	23	22	12	M85	31	30	155
300	455	228	500	455	410	23	24,5	12	M85	31	35	190
400	535	290	600	580	525	28	24,5	16	M110	23	40	335
500	602	360	750	715	650	28	26,5	20	M110	23	50	590
600	660	435	900	840	770	31	30	20	M125	23	70	1030
700	720	515	1050	910	840	31	32,5	24	M160	23	80	1620
800	770	565	1200	1025	950	34	35	24	M160/3	70	80	2050
900	830	630	1350	1125	1050	34	37,5	28	M160/3	70	90	2750
1000	915	695	1500	1255	1170	37	40	28	M200/3	75	100	4000
1200	1070	825	1800	1485	1390	40	45	32	M200/3	225	105	5300

Remarks: DN1800, DN2000 on request.

Remarks: After DN1200, dimensions might differ please ask for specific drawing.

EKO12000

NEEDLE (PLUNGER) VALVE



Needle (Plunger) Valve Dimension Table

PN10 (DN)	Body			Flanges					Gear Box			Weight (KG)
	A(mm)	B(mm)	L1(mm)	D(mm)	K(mm)	d2(mm)	b(mm)	No.of Holes	Model	Turn/ Strok	Torque	
150	283	143	350	300	250	28	20	8	-	-	-	80
200	315	170	400	360	310	28	22	12	-	-	-	115
250	375	200	450	425	370	31	24,5	12	-	-	-	165
300	455	228	500	485	430	31	27,5	16	-	-	-	200
400	535	290	600	620	550	37	32	16	-	-	-	370
500	602	360	750	730	660	37	36,5	20	-	-	-	395
600	660	435	900	845	770	40	42	20	-	-	-	1110
700	720	515	1050	960	875	43	46,5	24	-	-	-	1820
800	770	565	1200	1085	990	49	51	24	-	-	-	2150
900	830	630	1350	1185	1090	49	59,5	28	-	-	-	2850
1000	915	695	1500	1320	1210	56	60	28	-	-	-	4250
1200	1070	825	1800	1530	1420	56	74	32	-	-	-	5600

Remarks: For empty sections, please contact with EKOVAL for empty sections.