

# EK02151

## RESILIENT SEAL GATE VALVE

F5



### TECHNICAL ADVANTAGES

- Valve Design According to DIN 3356, 3352
- Face to Face Length According to EN 558-1 Basic Series 15, DIN 3202 (F5)
- Flanged Connection According to EN 1092-2, DIN3230, DIN2501 PN25
- Valve test According to EN 12266-1
- DIN 3352 F5 F3366 Casting
- Soft seated. Suitable for sewage & water applications.
- Non-rising stem type
- EK02100 Series Resilient Seat Gate Valves can be used as ISOLATION VALVES
- Application Fields and Temperatures of EK02100 Series valves vary according to the selection of the seat.
- Please choose and order the Seat Material Considering the Requirements of Application.
- This Product is WRAS Drinking Water Approved
- Electrical Actuator Connection is Succeeded with an Intermediary Top Flange
- NBR Coated Wedge can be used for Nonflammable Oil Applications

### MATERIAL

- Body: GGG50 Ductile Iron
- Bonnet: GGG50 Ductile Iron
- Wedge: EPDM Vulcanized GGG50 Ductile Iron
- Stem: 2Cr13, SS316, SS316L
- Stem Nut: Brass with 3 O-Rings
- O-Rings: NBR
- Gland: Brass
- Bolts: Steel 8.8 + Wax
- Middle Gasket: EPDM
- Splint Collar: Brass
- Cap: GGG50 Ductile Iron



### COATING

- Inner and outer surface of the valve is powder epoxy coated (250-350 Microns) for all sizes.

### VERSIONS

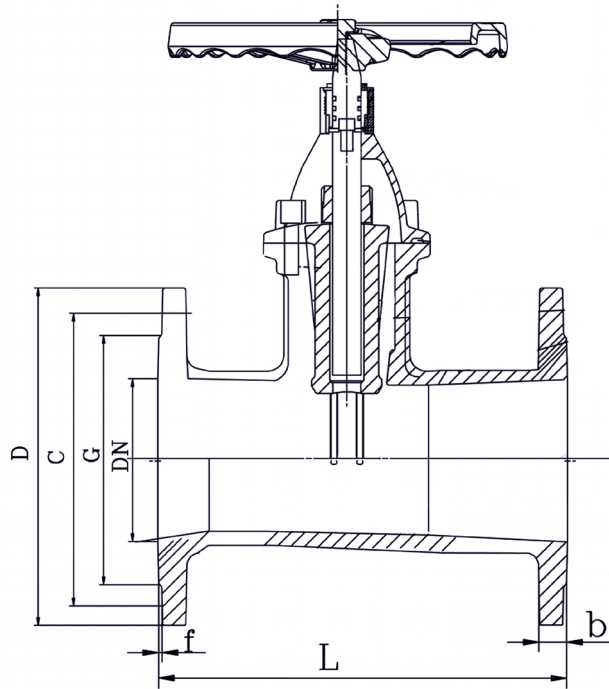
- Ready For Electric Actuator
- With Electric Actuator
- With Handwheel
- With Telescopic or Rigid Extension Spindle 2Cr13 as Standard
- With Limit Switches or Position Indicators
- With Operation Cap or T-Key

Remarks: Grey tones represents available options.

# EKO2151

## RESILIENT SEAL GATE VALVE

F5



Size DN	DIN3202 F5 L	Flange Dimensions to DIN2501 (mm)									
		D		C		G		b	n-d		f
		PN10	PN16	PN10	PN16	PN10	PN16		PN10	PN16	
40	240	150		110		88		18	4-19		3
50	250	165		125		102		19	4-19		3
65	270	179		145		122		19	4-19		3
80	280	194		160		138		19	4-19	8-19	3
100	300	215		180		158		19	8-19		3
125	325	245		210		188		19	8-19		3
150	350	278		240		212		20	8-23		3
200	400	322		295		268		22	8-23	12-23	3
250	450	395	405	350	355	320		24,5	12-33	12-28	3
300	500	445	460	400	410	370		24,5	12-33	12-28	4
350	550	505	520	460	470	429		26,5	16-23	16-28	4
400	600	565	580	515	528	480		28	16-28	16-31	4
450	650	615	640	565	585	548	530	30	20-28	20-32	4
500	700	670	715	620	650	609	582	31,5	20-28	20-34	4
600	800	780	840	725	770	720	682	36	20-31	20-37	5