

EKO1200U

U-TYPE BUTTERFLY VALVE



TECHNICAL ADVANTAGES

- Design According to EN593 (Comply API 609, MSS SP-67)
- Face to Face Length According to DIN3202-BS EN558-1
- Flanged Connection According to BS4504 PN10/16 DIN2501 (ANSI B16.1/Class125#)
- Hydraulic Pressure Test According to API 598
- WRAS Approved Model Suitable for Potable Water
- Corrosion Resistant Design
- Max Application Temperature +80 °C
- Top Flange according to ISO5211-1
- Gearbox Operated
- Easy to install
- Lightweight

MATERIAL

- Body: GGG40/50 Ductile Iron
- Seat: EPDM, NBR, Optional Teflon
- Shaft: Stainless Steel
- Bushing: Lubricated Bronze, Teflon
- Disc: Ductile Iron as Standard (All Grades of Stainless Steel Optional)



COATING

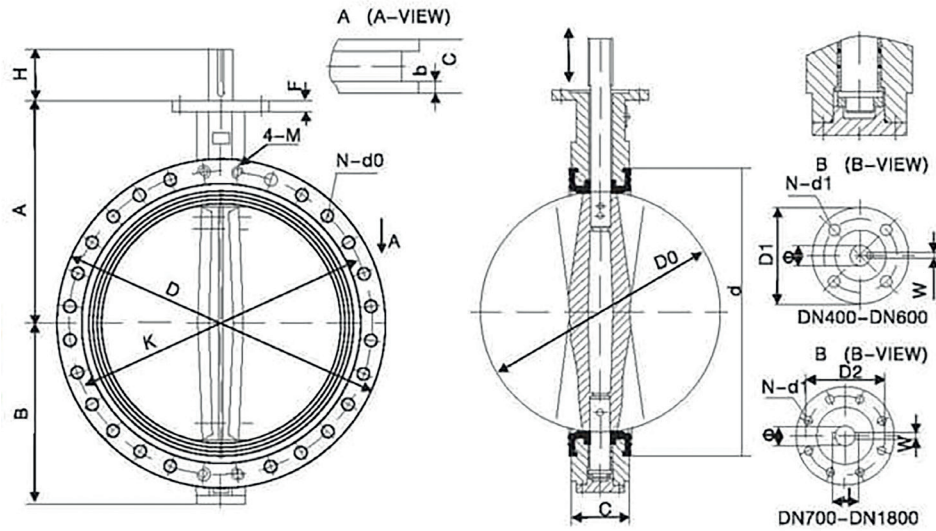
- Inside and Outside 300 Microns Fusion Bounded Powder Epoxy Coated RAL 5005

VERSIONS

- With Electric Actuator
- Electric actuator ready
- Pneumatic Actuator
- Standard Manual Gearbox with Position indicator
- ISO top Flange
- Fixed & Telescopic Extension Spindle
- With Limit Switches or Position Indicators

EKO1200U

U-TYPE BUTTERFLY VALVE



DN	A	B	H	D0	C	D	K	d	N-d0	4-M	b	D1	D2	N-d1	F	o	W	J	Weight (kg)
400	360	320	60	390	102	580	525	460	12-31	4-M27	28.0	175	140	4-18	22	37.95	10	41.0	102
450	400	360	60	441	114	640	585	496	16-31	4-M27	30.0	175	140	4-18	22	42.86	12	45.9	141
500	455	390	75	492	127	715	650	560	16-34	4-M30	31.5	175	140	4-18	22	45.72	14	49.2	158
600	520	450	75	593	154	840	770	658	16-37	4-M33	36.0	210	165	4-22	22	53.98	16	58.0	232
700	580	505	70	695	165	910	840	773	20-37	4-M33	39.5	300	254	8-18	30	63.35	18	71.4	308
800	670	560	75	795	190	1025	950	872	20-41	4-M36	43.0	300	254	8-18	30	70.00	20	79.0	420
900	705	630	110	865	203	1125	1050	987	24-41	4-M36	46.5	300	254	8-18	34	80.00	22	90.0	550
1000	780	670	135	965	216	1255	1170	1073	24-44	4-M39	50.0	300	254	8-18	34	90.00	25	100.0	895
1100	840	740	135	1065	251	1355	1270	1203	28-44	4-M39	53.5	350	298	8-22	34	95.00	25	105.0	1170
1200	910	790	150	1160	254	1485	1390	1302	28-50	4-M45	57.0	350	298	8-22	34	105.00	28	117.0	1350
1300	990	910	150	1260	279	1585	1490	1395	24-50	8-M45	60.0	415	356	8-33	40	120.00	32	134.0	2350
1400	1017	993	200	1359	279	1685	1590	1495	28-50	8-M45	60.0	415	356	8-33	40	120.00	32	134.0	2650
1500	1080	1040	200	1457	318	1820	1710	1638	28-57	8-M52	62.5	415	356	8-33	40	140.00	36	156.0	2920
1600	1150	1132	200	1556	318	1930	1820	1696	32-57	8-M52	65.0	475	406	8-40	50	140.00	36	156.0	3140
1800	1280	1270	280	1775	356	2130	2020	1893	36-57	8-M52	70.0	560	483	12-40	55	160.00	40	178.0	4890
2000	1390	1350	280	1955	406	2345	2230	2105	40-62	8-M56	75.0	560	483	12-40	55	180.00	45	200.0	7120