

EKO1000 - 1100

WAFER&LUG TYPE BUTTERFLY VALVE

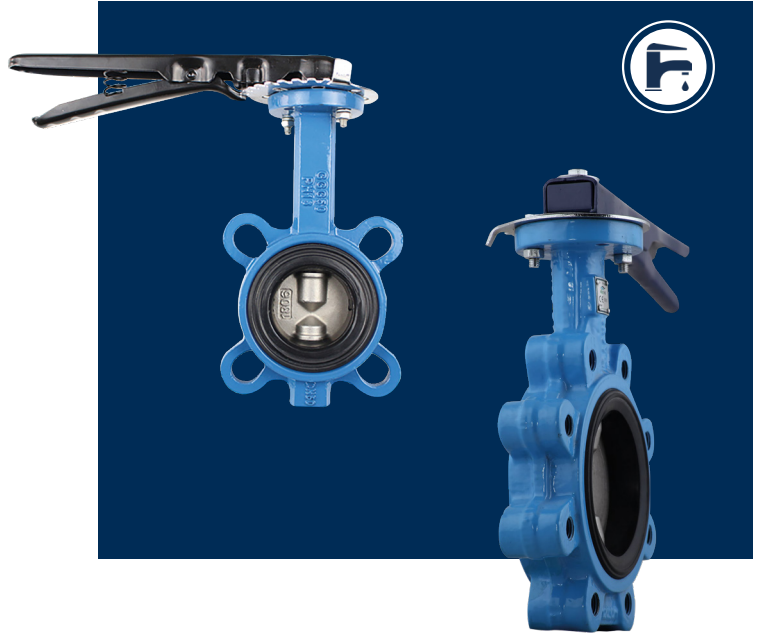


TECHNICAL ADVANTAGES

- Valve Design According to BS EN593
- Wafer Type Connection According to ISO 7005-1 EN 1092-1
- Lug Type Connection According to EN 1092-2, ISO 7005-2
- Face to Face Length According to EN558 Series 20
- Valve Test According to EN12266-1
- Pneumatic Actuators Can Fit Directly with the Top Flange
- Top Flange ISO 5211
- Can be Installed in Both Positions
- Double Shaft Design
- Low Operating Torque Values Allows Usage of Cost-Effective Actuators
- Low Pressure Lost
- Easy Opening and Closing
- Good Sealing
- Light Weight
- 3 O-Rings on Both Stems for Advanced Sealing
- Easy Gasket Replacing
- EKO1000 Wafer Type Butterfly Valves Can be Mounted between PN10-PN16 Flanges
- EKO1100 Lug Type Butterfly Valves Can only be mounted between PN16 Flanges

MATERIAL

- Body: EN GJS 500-7 Ductile Iron, Cast Iron
- Disc: SS304, SS316, Aluminum Bronze
- Stem: SS420, 316
- Seat: EPDM, VITON, NBR
- Bottom Screw Gland: SS420
- O-Rings: EPDM
- Limiting Plate: St37
- Bolts: Galvanized Steel
- Nuts: Galvanized Steel
- Hand Lever: St27 Steel, Alloy Iron



COATING

- Inside and Outside 250 to 350 Microns Powder Epoxy Coated

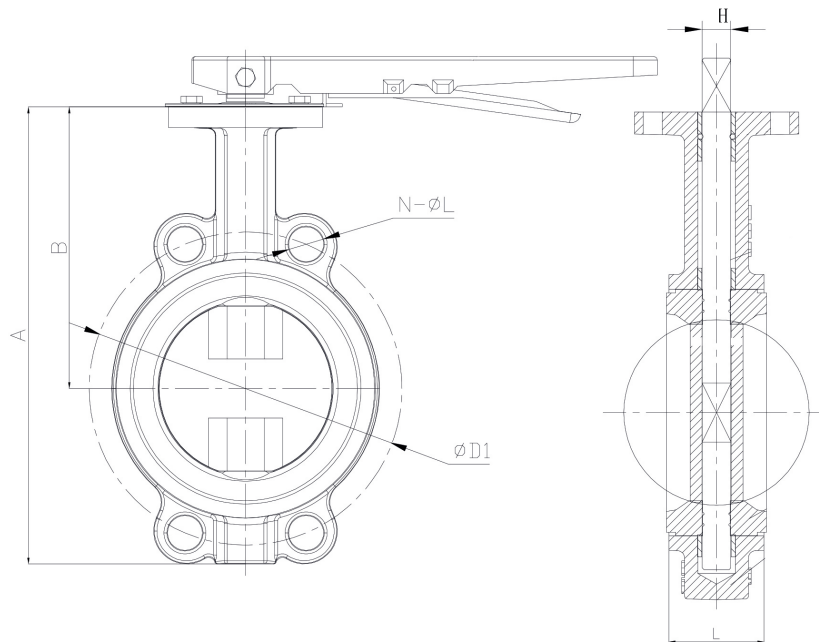
VERSIONS

- With Handwheel
- Electric Actuator Ready
- With Electric Actuator
- With Pneumatic Actuator
- Single Stem Design is also Available Please ask
- For a Catalogue.

Remarks: Grey tones represents available options.

EKO1000 - 1100

WAFER&LUG TYPE BUTTERFLY VALVE

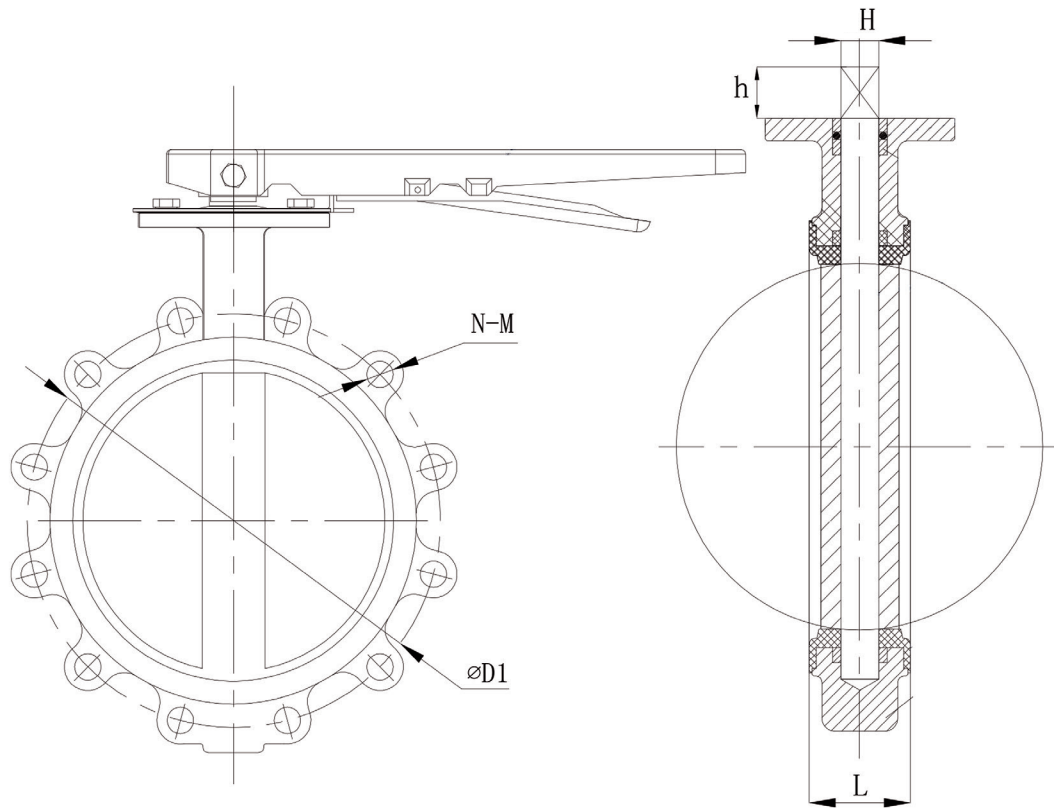


Wafer Type Butterfly Valve Dimension Table PN10

DN	A	B	ØD1	N-ØL	L	H
DN40	208	138	110	4-Ø18	43	11*11
DN50	208	138	125	4-Ø18	43	11*11
DN65	222	144	145	4-Ø18	46	11*11
DN100	269	165	180	4-Ø18	52	11*11
DN125	306	184	210	4-Ø18	56	11*11
DN150	335	199	240	4-Ø22	56	14*14
DN200	393	224	295	4-Ø22	60	17*17
DN250	470	272	350	4-Ø22	68	22*22
DN300	530	298	400	4-Ø22	78	22*22

DN	A	B	ØD1	N-ØL	L	h	Øa	h*0
DN400	707	397	515	4-Ø26	87	51,2	33,34	10*1
DN450	760	411	565	4-Ø26	106	51,2	38	10*1
DN500	845	463	620	4-Ø26	132	64,2	41,15	10*1

DN	A	B	ØD1	N-ØL	L	h	Øa	h*0
DN600	965	533	725	4-Ø30	154	70,2	50,7	16*1
DN700	1130	606	840	4-Ø30	165	66	63	16*2
DN800	1278	672	950	4-Ø33	190	66	63	16*2
DN900	1390	720	1050	4-Ø33	203	90	75	20*2
DN1000	1538	800	1160	4-Ø36	216	90	85	22*2
DN1200	1818	940,7	1380	4-Ø39	254	120	105	25*2



Lug Type Butterfly Valve Dimension Table

DN	ØD1	N-M	L	H
DN40	110	4-M16	43	11*11
DN50	125	4-M16	43	11*11
DN65	145	4-M16	46	11*11
DN80	160	8-M16	46	11*11
DN100	180	8-M16	52	11*11
DN125	210	8-M16	56	14*14
DN150	240	8-M16	56	14*14
DN200	295	8-M16	60	17*17
DN250	350	12-M20	68	22*22
DN300	400	12-M20	78	22*22

DN	ØD1	N-M	L	Øa	h*0
DN400	515	16-M24	102	33,34	10*1
DN450	565	20-M24	114	38	10*1
DN500	620	20-M24	127	41,15	10*1

DN	ØD1	N-M	L	Øa	h*0
DN600	725	20-M27	154	50,7	16*1
DN700	840	24-M27	165	63	16*2
DN800	950	24-M30	190	63	16*2
DN900	1050	28-M30	203	75	20*2
DN1000	1160	28-M33	216	85	22*2
DN1200	1380	32-M36	254	105	25*2