

EKO6000L

Y-STRAINER



TECHNICAL ADVANTAGES

- Strainer Design According to DIN 3202-1 (F1)
- Face to Face length According to ISO 5752, EN 558 Series-1 (F1)
- Flange Connections According to EN 1092-2, ISO 7005-2
- Valve Test According to EN12266-1
- DN400-DN1000 Sizes
- 3mm Hole Diameters
- Free Flow area %33
- Strainer Markings According to EN 19
- Easy to Clean the Filter with Discharge Hole
- Each Strainer has one Stainless Steel Net and One Perforated Screen
- Filter, 20 Mesh, SA304 Stainless Steel, Other Mesh Values are optional
- Suitable for Potable Water Applications (With Powder Coating)
- Removing Unwanted Solids from liquid, gas or steam lines
- Used in Pipelines to Protect Pumps, Meters, Control Valves, Steam Traps, Regulators and other Process Equipment.
- Unlike Other Types of Strainers, a Y-Strainer Has the Advantage of Being Able to be Installed in Either Horizontal or Vertical Position.
- PN16/10 Working pressure

MATERIAL

- Body: Steel Weld Solder
- Cover: Steel
- Filter Support: Steel Weld Solder
- Filter: Stainless Steel 304
- Filter Screen: Stainless Steel 304
- Bolts: A2-70
- Gasket: NBR



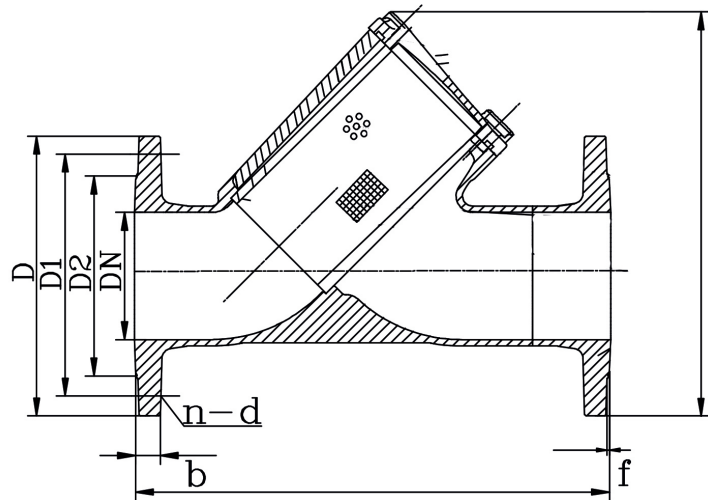
COATING

- Please Connect For Coating Options

VERSIONS

- Please Connect For Available Options

Remarks: Please contact for available material options.



Y-Strainer Dimension Table							
Size DN	DIN3202 F1	Flanged to EN1092 PN16					
	L	ØD	ØD1	ØD2	b	n-d	f
400	1100	580	525	489	30	16-31	4
500	1250	715	650	609	34	20-34	4
600	1450	840	770	720	36	20-37	4
700	1650	910	840	795	39.5	24-37	4
800	1850	1025	950	900	43	24-40	4
1000	2250	1255	1170	1115	50	28-43	5