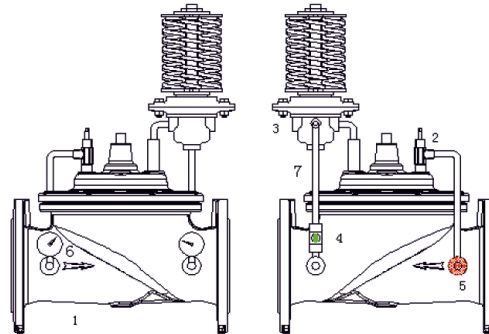


Technical Drawing

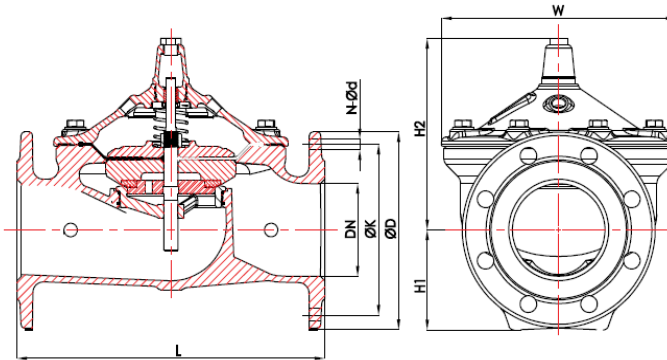


No.	Spring Qty.	Pressure Range/Bar	Level range/m
1	1	0.5-1.2	14
2	2	1.0-2.4	28
3	3	2.2-3.6	42
4	4	3.2-4.8	56
5	5	4.0-6.0	70
*6	5	7.0-10.0	100

Material of Internal Parts

Disc : Ductile Iron
 Stem : Stainless Steel
 Spring : Stainless Steel
 Nut : Stainless Steel
 Diaphragm : EPDM / NBR
 Disc Sealing : EPDM / NBR

No.	Part Name	Standard	Optional
1.	Main Valve	Ductile Iron	
2.	Neddle Valve	Brass	Stainless Steel
3.	Altitude Pilot	Bronze	Stainless Steel
4.	Ball Valve	Brass	Stainless Steel
5.	Strainer	Stainless Steel	
6.	Pressure Gauge	Stainless Steel	
7.	Tube	Copper	Stainless Steel



Option & Accessories

- B. Ball Valve
- G. Pressure Gauge
- P. Position Indicator
- L. Limit Switch

DN	FB	RB	L(mm)	PN10/PN16			PN10		PN16		H1(mm)	H2(mm)	W(mm)	Weight (kg)	H2(mm)		W(mm)		Weight (kg)
				PN10	PN16	PN10	PN16	Full Bore	Reduced Bore	W(mm)					Weight (kg)				
40	42	NA	230	165	Ø 110	Ø 4-19		85	150	155	10	N/A							
50	52	42	230	165	Ø 125	Ø 4-19		85	170	165	12	150	155	10					
65	67	52	290	185	Ø 145	Ø 4-19		95	185	205	18	170	165	14					
80	82	67	310	200	Ø 160	Ø 8-19		102	220	230	23	185	205	19					
100	102	82	350	220	Ø 180	Ø 8-19		112	230	270	31	220	230	25					
125	NA	102	400	250	Ø 210	Ø 8-19		127	NA			(230)	(270)	31					
150	152	102	480	285	Ø 240	Ø 8-23		145	300	355	64	230	270	39					
200	202	152	600	340	Ø 295	8-Ø23	12-Ø23	172	405	455	(116)	300	355	(86)					
250	252	202	730	405	Ø 350	Ø 355	12-Ø23	12-Ø27	205	460	530	(180)	405	132					
300	302	252	850	460	Ø 400	Ø 410	12-Ø23	12-Ø27	232	510	620	(269)	460	(230)					
350	352	302	980	520	Ø 460	Ø 410	16-Ø23	16-Ø28	260	560	710	310	510	290					

DN	H		SEAT		L	ØD			ØK			N-Ød		
	FB	RB	FB	RB		PN10	PN16	PN25	PN10	PN16	PN25	PN10	PN16	PN25
400	670	560	400	300	1100	580			620	515	550	16-Ø28	16-Ø31	16-Ø37
450	730	670	450	400	1200	640			670	565	600	20-Ø28	16-Ø31	20-Ø37
500	790		500	400	1250	715			730	620	660	20-Ø28	20-Ø34	20-Ø37
600	930	790	600	500	1450	780	840	845	725	770	770	20-Ø31	20-Ø37	20-Ø40
700	1000	930	700	600	1650	910			840	840		24-Ø31	24-Ø37	
750	1085		750		1650	984			914			24-Ø34	24-Ø41	
800	1170	800	1850	1025			950	950	24-Ø34	24-Ø41				
900	1315	1170	900	800	2050	1115	1125		1050	1050	24-Ø34	28-Ø41		
1000	1460	/	1000	800	2250	1230	1255		1160	1170	28-Ø37	28-Ø44		
1200	1750	1460	1200	1000	2450	1455	1485		1380	1390	32-Ø40	32-Ø49		