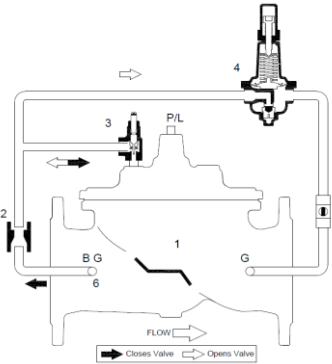




Schematic Diagram

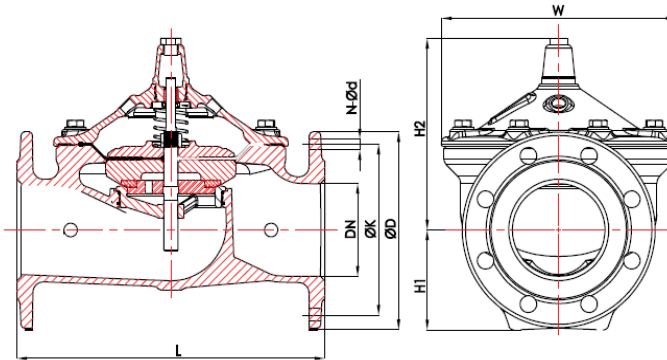


Pilot Range:
 - 0.1-2.0 Bar
 - 0.5-3.5 Bar
 - 1.0-5.0 Bar
 - 1.5-8.5 Bar
 - 1.5-10 Bar
 - 2.0-15 Bar
 - 2.5-21 Bar

Material of Internal Parts

Disc : Ductile Iron
 Stem : Stainless Steel
 Spring : Stainless Steel
 Nut : Stainless Steel
 Diaphragm : EPDM / NBR
 Disc Sealing : EPDM / NBR

No.	Part Name	Standard	Optional
1.	Main Valve	Ductile Iron	
2.	Restriction	Stainless Steel	
3.	Needle Valve	Brass	Stainless Steel
4.	Pilot	Stainless Steel	Bronze
5.	Ball Valve	Brass	Stainless Steel
6.	Strainer	Stainless Steel	
T	Tube	Copper	Stainless Steel



Option & Accessories

B. Ball Valve
 G. Pressure Gauge
 P. Position Indicator
 L. Limit Switch

DN	Seat bore		L(mm)	PN10/PN 16		PN10	PN16	PN16		H1(mm)	H2(mm)	W(mm)	Weight (kg)	H2(mm)		W(mm)		Weight (kg)
	FB	RB		Ø D(mm)	Ø K(mm)			Ø N-d(mm)						Full Bore		Reduced Bore		
40	42	NA	230	165	Ø 110			Ø 4-19		85	150	155	10	N/A				
50	52	42	230	165	Ø 125			Ø 4-19		85	170	165	12	150	155	10		
65	67	52	290	185	Ø 145			Ø 4-19		95	185	205	18	170	165	14		
80	82	67	310	200	Ø 160			Ø 8-19		102	220	230	23	185	205	19		
100	102	82	350	220	Ø 180			Ø 8-19		112	230	270	31	220	230	25		
125	NA	102	400	250	Ø 210			Ø 8-19		127		NA		(230)	(270)	31		
150	152	102	480	285	Ø 240			Ø 8-23		145	300	355	64	230	270	39		
200	202	152	600	340	Ø 295	8-Ø23	12-Ø23			172	405	455	(116)	300	355	(86)		
250	252	202	730	405	Ø 350	Ø 355	12-Ø23	12-Ø27		205	460	530	(180)	405	455	132		
300	302	252	850	460	Ø 400	Ø 410	12-Ø23	12-Ø27		232	510	620	(269)	460	530	(230)		
350	352	302	980	520	Ø 460	Ø 410	16-Ø23	16-Ø28		260	560	710	310	510	620	290		

DN	H		SEAT		L	ØD			ØK			N-Ød		
	FB	RB	FB	RB		PN10	PN16	PN25	PN10	PN16	PN25	PN10	PN16	PN25
400	670	560	400	300	1100	580		620	515	525	550	16-Ø28	16-Ø31	16-Ø37
450	730	670	450	400	1200	640		670	565	585	600	20-Ø28	16-Ø31	20-Ø37
500	790		500		1250	715	730	620	650	660	20-Ø28	20-Ø34	20-Ø37	
600	930	790	600	500	1450	780	840	845	725	770	770	20-Ø31	20-Ø37	20-Ø40
700	1000	930	700	600	1650	910			840	840		24-Ø31	24-Ø37	
750	1085		750		1650	984				914			24-Ø34	24-Ø41
800	1170	800	1850	1025					950	950		24-Ø34	24-Ø41	
900	1315	1170	900	800	2050	1115	1125		1050	1050		24-Ø34	28-Ø41	
1000	1460	/	1000	800	2250	1230	1255		1160	1170		28-Ø37	28-Ø44	
1200	1750	1460	1200	1000	2450	1455	1485		1380	1390		32-Ø40	32-Ø49	