

EKO2100

RESILIENT SEAL GATE VALVE F4

DN50 TO DN600 PN10 / 16 / 25



TECHNICAL ADVANTAGES

- Valve Design According to BS EN 1171 – EN 1074-2
- Face to Face Length According to EN 558-1 Basic Series 14 (F4)
- Flanged Connection According to EN 1092-2
- Valve test According to EN 12266-
- Corrosion Resistant Stem Sealing
- Triple O-Rings , 2 Dust Protectors
- Non-rising stem type
- Soft seated, low operating Torque.
- This Product is WRAS Drinking Water Approved
- Suitable for both sewage and Drinking water applications.
- Suitable for Underground Applications.
- Can be used as ISOLATION VALVE
- NBR Coated Wedge can be used for Nonflammable Oil Applications
- Application Fields and Temperatures of EKO2100 Series valves vary according to the selection of the seat.

MATERIAL

- Body: GGG50
- Bonnet: GGG50
- Wedge: GGG50 EPDM Vulcanized
- Bonnet Bolts: Steel 8.8 + Wax
- Stem: 2Cr13, SS316, SS316L
- Stem Nut: Brass
- Split Collar: Iron+Electroplate
- Gasket: Nylon
- Gland: Brass
- "O" Ring: NBR
- Bonnet Gasket: NBR



COATING

- Inner and outer surface of the valve is powder epoxy coated (250-350 Microns) for all sizes

VERSIONS

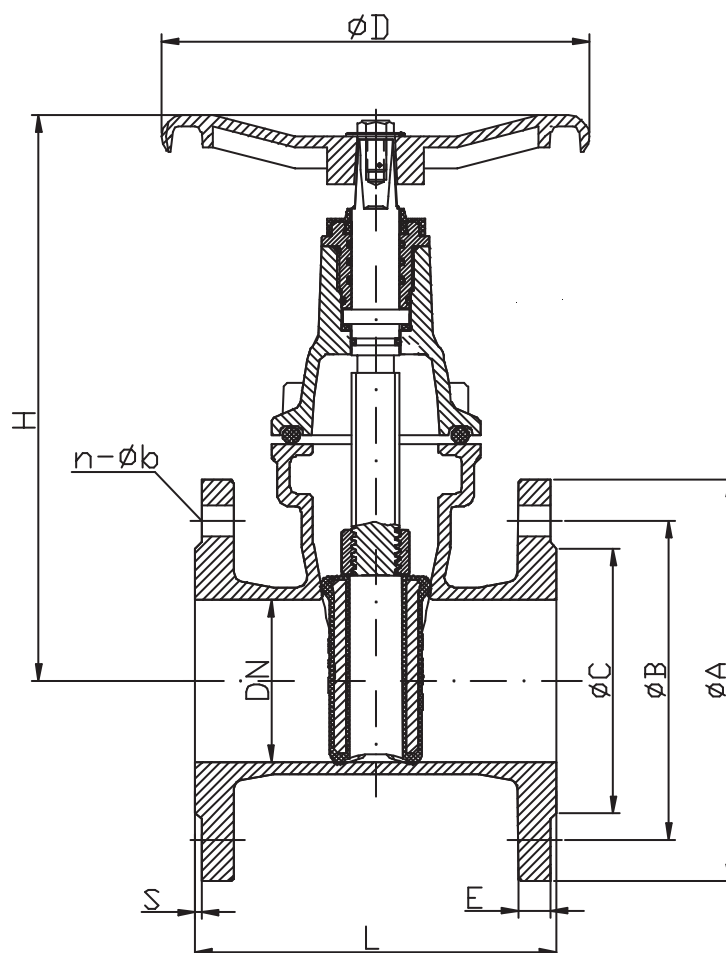
- Ready For Electric Actuator
- With Electric Actuator
- With Handwheel
- With Telescopic or Rigid Extension Spindle 2Cr13 as Standard
- With Limit Switches or Position Indicator.
- With Operation Cap or T-Key

Remarks: Grey tones represents available options.

EKO2100

RESILIENT SEAL GATE VALVE F4

DN50 TO DN600 PN10 / 16 / 25

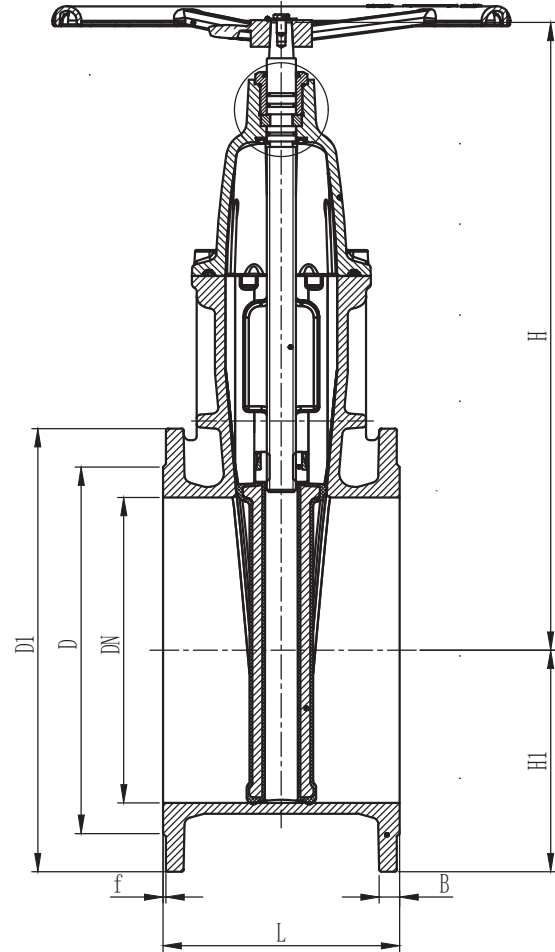
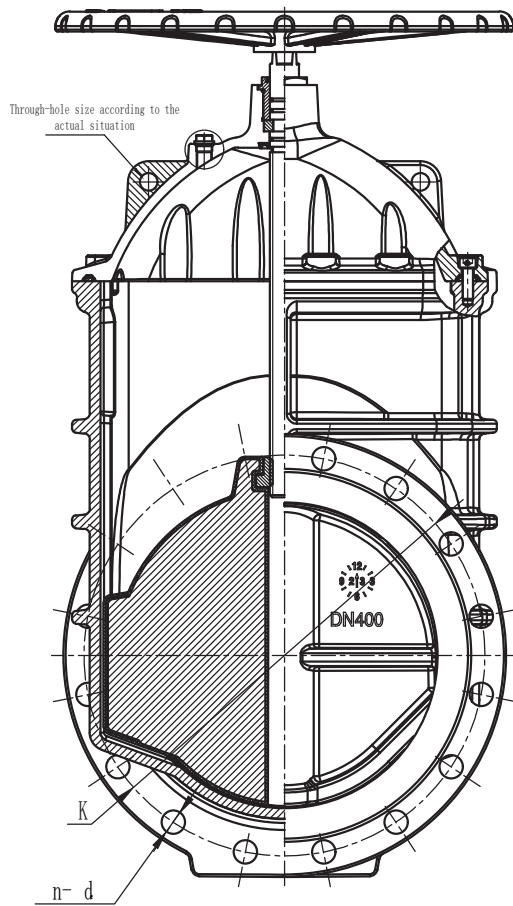


DN	L (mm)	H	Flange Dimensions to DIN2501 (mm)								Weight		
			ØA		ØB		ØC		S	E	n-Øb		KG/PCS
			1,0 MPa	1,6 MPa	1,0 MPa	1,6 MPa	1,0 MPa	1,6 MPa			1,0 MPa	1,6 MPa	F4
40	140	220	150		110		84		3	16	4-19		10
50	150	230	165		125		99		3	16	4-19		10,6
65	170	265	185		135/145		118		3	16	4-19		12,5
80	180	290	200		160		132		3	16	8-19		13,8
100	190	335	220		180		156		3	16	8-19		18
125	200	380	250		210		184		3	16	8-19		22
150	210	415	285		240		211		3	16	8-23		31,9
200	230	510	340		295		266		3	17	8-23	12-23	54,5
250	250	600	400		350	355	319		3	19	12-23	12-28	75,5
300	270	690	455		400	410	370		4	20,5	12-23	12-28	110

EKO2100

RESILIENT SEAL GATE VALVE F4

DN50 TO DN600 PN10 / 16 / 25



DN	L (mm)	H	Flange Dimensions to DIN2501 (mm)											Weight KG/ PCS
			ØD		ØD1		ØK		f	B		n-Ød		
			1,0 MPa	1,6 MPa	1,0 MPa	1,6 MPa	1,0 MPa	1,6 MPa		1,0 MPa	1,6 MPa	1,0 MPa	1,6 MPa	
			F4		F4		F4			F4		F4		
350	290	744	429	429	505	520	460	470	4	24.5	26.5	16-Ø23	16-Ø28	158,4
400	310	828	480	480	565	580	515	525	4	24.5	28	16-Ø28	16-Ø31	200,8
450	330	926	530	548	615	640	565	585	4	25.5	30	20-Ø28	20-Ø31	280
500	350	985.5	582	609	670	715	620	650	4	26.5	31.5	20-Ø28	20-Ø34	344
600	390	1156	682	720	780	840	725	770	5	30	36	20-Ø31	20-Ø37	543