

EKO2150

RESILIENT SEAL GATE VALVE F5

DN50 TO DN600 PN10 / 16 / 25



TECHNICAL ADVANTAGES

- Valve Design According to BS EN 1171 – EN 1074-2
- Face to Face Length According to EN 558-1 Basic Series 14 (F4)
- Flanged Connection According to EN 1092-2
- Valve test According to EN 12266-
- Corrosion Resistant Stem Sealing
- Triple O-Rings , 2 Dust Protectors
- Non-rising stem type
- Soft seated, low operating Torque.
- This Product is WRAS Drinking Water Approved
- Suitable for both sewage and Drinking water applications.
- Suitable for Underground Applications.
- Can be used as ISOLATION VALVE
- NBR Coated Wedge can be used for Nonflammable Oil Applications
- Application Fields and Temperatures of EKO2100 Series valves vary according to the selection of the seat.

MATERIAL

- Body: GGG50
- Bonnet: GGG50
- Wedge: GGG50 EPDM Vulcanized
- Bonnet Bolts: Steel 8.8 + Wax
- Stem: 2Cr13, SS316, SS316L
- Stem Nut: Brass
- Split Collar: Iron+Electroplate
- Gasket: Nylon
- Gland: Brass
- "O" Ring: NBR
- Bonnet Gasket: NBR



COATING

- Inner and outer surface of the valve is powder epoxy coated (250-350 Microns) for all sizes

VERSIONS

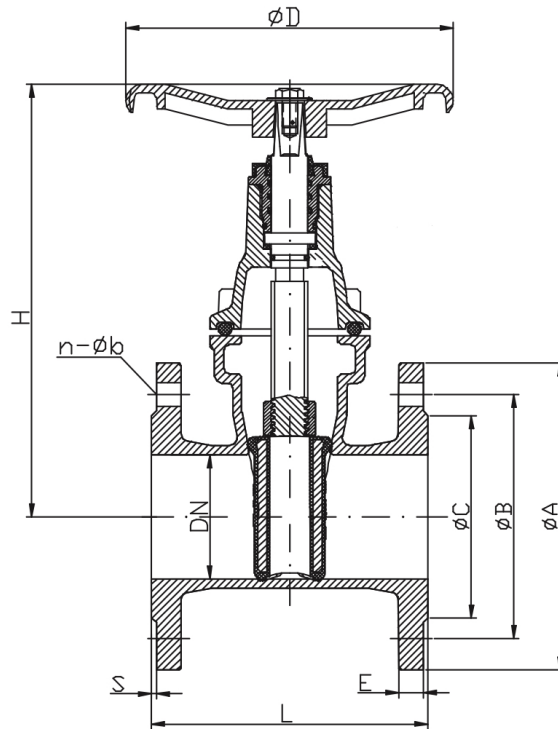
- Ready For Electric Actuator
- With Electric Actuator
- With Handwheel
- With Telescopic or Rigid Extension Spindle 2Cr13 as Standard
- With Limit Switches or Position Indicator.
- With Operation Cap or T-Key

Remarks: Grey tones represents available options.

EKO2150

RESILIENT SEAL GATE VALVE F5

DN50 TO DN600 PN10 / 16 / 25

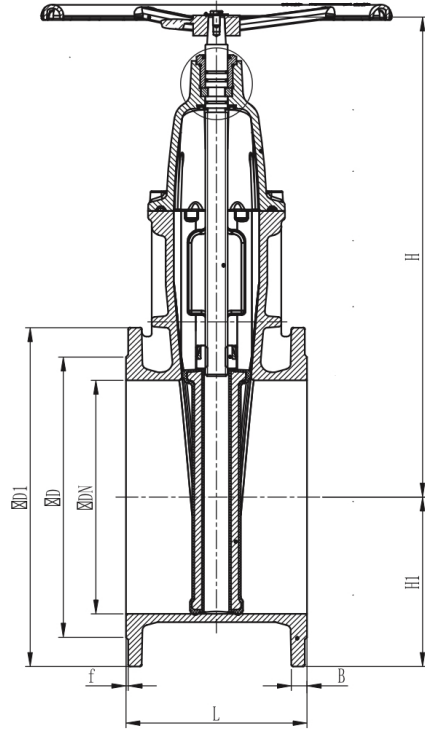
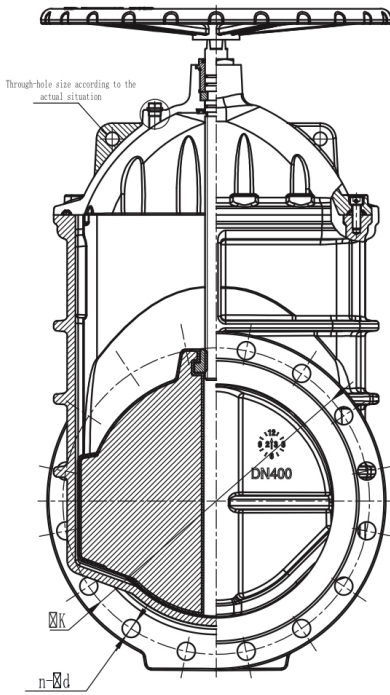


DN	L (mm)		Flange Dimensions to DIN2501 (mm)										Weight
	F5	H	ϕA		ϕB		ϕC		S	E	n- ϕb		KG/PCS
			1,0 MPa	1,6 MPa	1,0 MPa	1,6 MPa	1,0 MPa	1,6 MPa			1,0 MPa	1,6 MPa	F5
40	240	220	150		110		84		3	16	4-19		10
50	250	230	165		125		99		3	16	4-19		10,6
65	270	265	185		135/145		118		3	16	4-19		12,5
80	280	290	200		160		132		3	16	8-19		13,8
100	300	335	220		180		156		3	16	8-19		18
125	325	380	250		210		184		3	16	8-19		22
150	350	415	285		240		211		3	16	8-23		31,9
200	400	510	340		295		266		3	17	8-23	12-23	54,5
250	450	600	400		350	355	319		3	19	12-23	12-28	75,5
300	500	690	455		400	410	370		4	20,5	12-23	12-28	110

EKO2150

RESILIENT SEAL GATE VALVE F5

DN50 TO DN600 PN10 / 16 / 25



DN	L (mm)	H	Flange Dimensions to DIN2501 (mm)												Weight KG/ PCS
			ØD		ØD1		ØK		f	B		n-Ød			
			1,0 MPa	1,6 MPa	1,0 MPa	1,6 MPa	1,0 MPa	1,6 MPa		1,0 MPa	1,6 MPa	1,0 MPa	1,6 MPa		
350	550	744	429	429	505	520	460	470	4	24.5	26.5	16-Ø23	16-Ø28	158,4	
400	600	828	480	480	565	580	515	525	4	24.5	28	16-Ø28	16-Ø31	200,8	
450	650	926	530	548	615	640	565	585	4	25.5	30	20-Ø28	20-Ø31	280	
500	700	985.5	582	609	670	715	620	650	4	26.5	31.5	20-Ø28	20-Ø34	344	
600	800	1156	682	720	780	840	725	770	5	30	36	20-Ø31	20-Ø37	543	